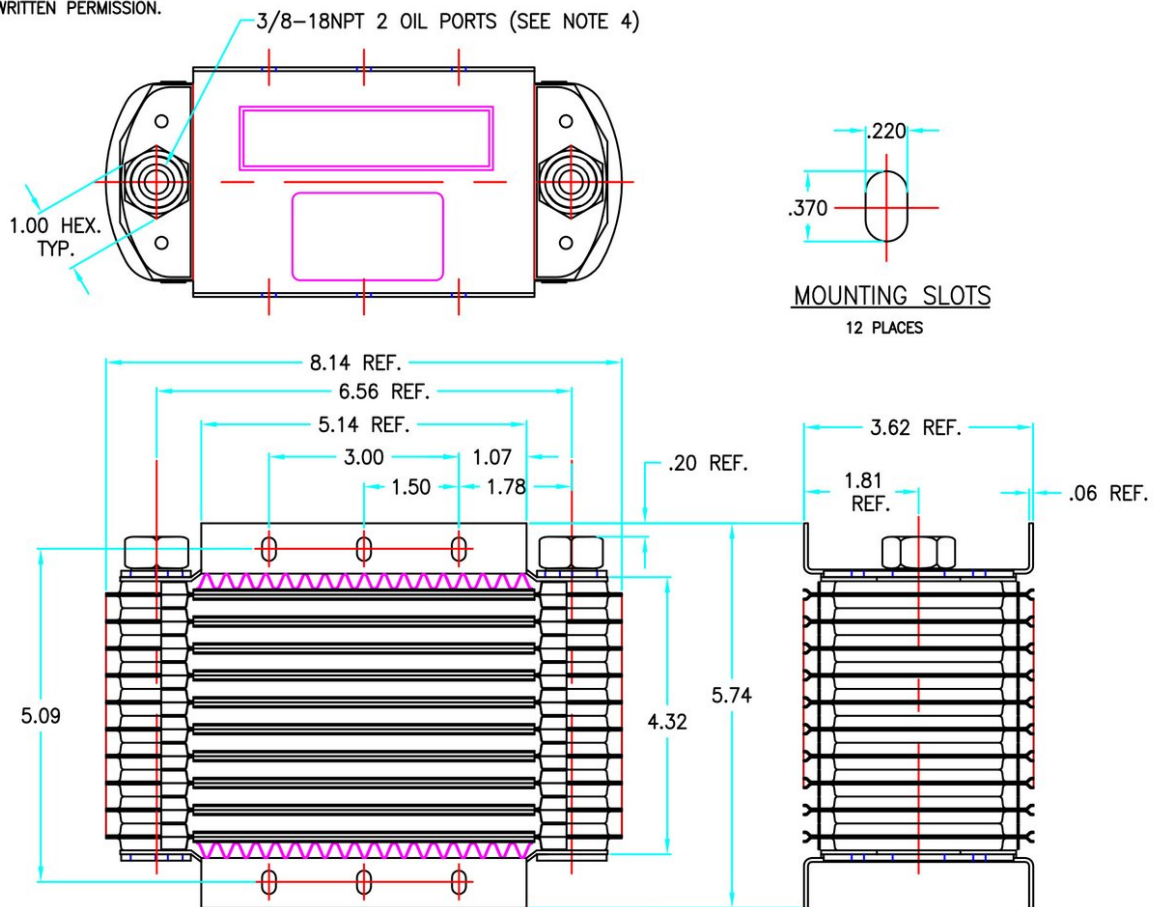


3

2

1

THIS DRAWING AND SPECIFICATIONS ARE THE PROPERTY OF AIRFLOW SYSTEMS AND ARE ISSUED IN STRICT CONFIDENCE. THEY SHALL NOT BE REPRODUCED, COPIED, OR USED AS THE BASIS FOR MANUFACTURE OR SALE OF MATTER DEPICTED HEREIN WITHOUT WRITTEN PERMISSION.



NOTES:

1. TEST PRESSURE 400 PSIG HYDROSTATIC
2. SURFACE TREATMENT PER MIL-C-5541 CLASS 1A
3. UNIT MAY BE OUT OF SQUARE .06 PER FOOT IN ANY DIRECTION.
4. AN MALE & FEMALE PORTS UP TO -12 MAY BE SUPPLIED WELDED IN AS A CUSTOM PART

Part Number

Description

NDM 20004A

Oil Cooler, Aircraft, Certified & Experimental

AVAILABLE FROM:

AIRFLOW
SYSTEMS

HIGH PERFORMANCE HEAT EXCHANGERS

(949)218-9701 (VOICE)

(949)218-9705 (FAX)

WWW.AIRFLOW-SYSTEMS.COM

3

2

1